

Power Theft Detection Using Raspberry Pi Technology with GSM

Dr.B.Gopinath*, HOD/Department of EEE, Vivekanandha College of Technology for Women, Tiruchengode, India.

Email: gopivce@gmail.com

M.Logeshwari*, EEE office, Vivekanandha College of Technology for Women, Tiruchengode, India. Email: logesh21vijiya@gmail.com

S.Logavani *, EEE office, Vivekanandha College of Technology for Women, Tiruchengode, India.. Email: smlogavani@gmail.com

S.Anupriya*, EEE office, , Vivekanandha College of Technology for Women, Tiruchengode, India .Email: anupriyaharish306

P.Punitha*, EEE office, Vivekanandha College of Technology for Women, Tiruchengode, India. Email: punithal1raveena@gmail.com

* Correspondence Author

Department of Electrical and Electronics Engineering

Abstract

Security and wellbeing ought to be increasingly essential to the general public. In days of yore we are utilized to CCTV to reconnaissance. Its increasingly hard to consistent chronicle and furthermore need the labor . Contrasted with another techniques the expense ought to be high. So we can utilize the Rasperry pi. Contrasted with the current framework the Rasperry pi is the more proficient a lot less expensive and better goals highlights. This crucial "theft recognition the utilization of rasperry pi" used to discover the issue in power stations."The Rasperry pi is the Small single board PC created by the unified realm. Right now camera alongside rasperry pi alongside a circuit with LCD show and GSM for signal handling to EB station. The Rasperry pi ought to identify the issue dependent on burglary the force. The GSM ought to be utilized to impart the sign to EB station. In this way, the framework gives a creative way to deal with robbery identification utilizing Rasperry pi.

Keywords: *Rasperry pi, LCD Display, GSM ,IR Sensor*

1.Introduction

Burglary counteraction is the gift from heaven in the undeniably innovation cognizant world. "the different robbery location structures are accessible to seize their theft , which can be furtherly advanced . By utilizing these innovation ,in some time the theft can't be gotten .The venture pointed that presentation of a working framework on an installed framework.

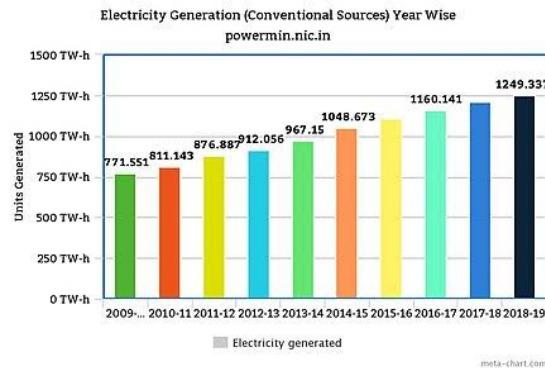
We propose "Force burglary identification utilizing Rasperry pi". This ought to be makes sure about workplaces and homes from robbery by in a flash identifying burglary just as permitting the client to see the robbery subtleties sparing the video and a USB drive. Right now, framework is fueled by 12V force supply. As fast as camera development is recognized in digicam photographs.

The framework ought to transmit the pictures of the movement event live remotely over by the web. Consequently the framework gives an inventive way to deal with burglary identification utilizing the Rasperry pi.

II.LITERATURE SURVEY

With the installed framework ought to be fastly extended its scope, topic with the identified with the field of accessible wealth. While dealing with this undertaking we have contemplated matter from different sources, for example, boos, online articles,and reference manuals. The information picked up from this action has been of incredible assistance to us in understanding the essential ideas relater to our undertaking and has lighted further enthusiasm for this point.

"linux for implanted and ongoing applications", by methods for doug abbot has been of colossal help with displaying to the presentation arrangement of developing inserted gadget in linux."It has for the most part help to comprehend the way toward designing and building the Linux to introducing the instrument chain.



" We comprehended the arm processor inside the territory of installed machine and abilities of arm processor from the report of "the arm design" by leonid ryzhyk ". The ARM design comprise of the numerous valuable highlights contrasted with yhat peer methods. Being little in size and requires less power,they give valuable data dependent on implanted applications.

III.PROPOSED SYSTEM

The square graph of Power Theft Detection Using Raspberry Technology. Right now, The IR sensor should detect the movement and given sense signalto raspberry pi to take the recognized camera film it ought to be distinguish the most elevated and in like manner

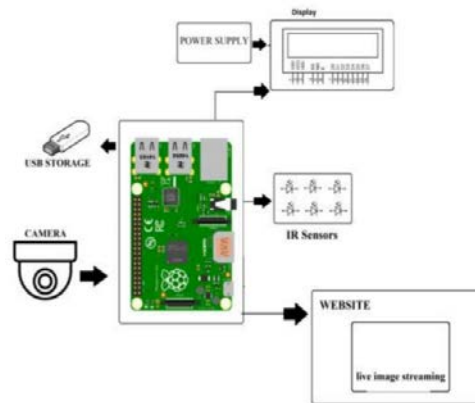


Fig. 1 Block diagram of proposed work

A. HARDWARE MATERIAL

For implementing this project,We are using the following

1. Raspberry pi Development Board
2. GSM
3. IR sensor

1. Raspberry pi Development Board

The raspberry pi is the Mastercard measured unmarried board PC progressed in uk by utilizing the raspberry pi premise objective of essential pc science and school. Moved up to the new version. Upgraded to the new model ought to be 512 MB .It does exclude the implicit hard plate or strong state drive yet utilizes a SD card for booting and steadiness stockpiling.

The raspberry pi board contains a processor and representations chip, application memory and assorted interface association principally dependent on outside gadgets . Some of the instrument is fundamental and alternatively accessible. It works similarly of pc.to require a console to the order passage additionally used to that show unit and force supply.Windows ought to be helps up from its hard circle.

2. GSM

The GSM implies Global System of Mobile Communication. The GSM ought to be maiely used to transmit and meter perusing to the administration with the necessary expense. In the event that the procedure is happed implies SMS is gotten from approved server versatile transmission among client and government.

At that point the power must be constrained by method for ir sensor by utilizing bypss identification and furthermore decrease the force supply precisely as in accordance with solicitation of approved server cell

3. IR SENSOR

An infrared sensor is an advanced apparatus that produces with an end goal to detect a couple of components of condition and devices just as find the motion.This sensor is utilized to detect the well known electronic gadget. This sensor is utilized to detect the well known electronic gadget. This sensor is like human s visionary scenes,which can be utilized to unearth hindrances and one of the not unordinary bundles.

A. SOFTWARE MATERIAL

For the executing this venture ,we are utilizing the accompanying ideas

1. Linux Operating System
2. C++&Qt for Embedded Linux
3. Open CV

1. *Linux Operating System*

Linux is one of the well known form of UNIX Operating framework .the Linux of the PCs have the working arrangement of computers.since Linux is free programming it implies that none of the product ought to be put the clients.

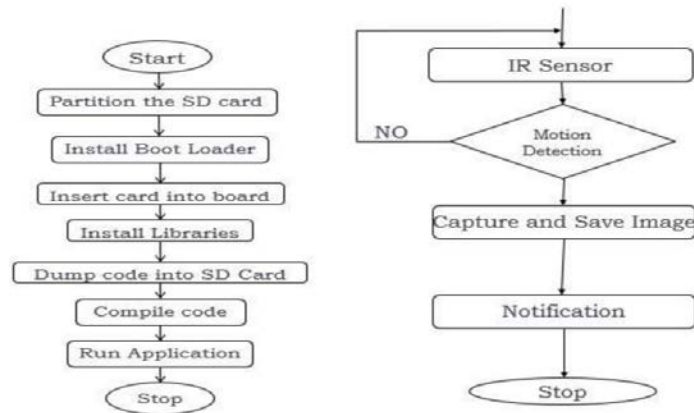
2. *C++& Qt for Embedded Linux*

QT is the Cross stage application structure its Widely utilized for making linux condition .I t ought to be build up the edge work utilizing the qt IDE. Its additionally incorporate the compiler and visual studio suite.

3. *Open CV*

The open inventory pc vision is a library of programming capacities for their ongoing pc creative and prescient.The picture handling and vision that ought to be created by intel. its free for both business and non-business use.

IV.FLOW CHART



V.CONCLUSION

The venture "Force robbery location utilizing Raspberry pi Technology" had exhibit how to get a full utilitarian implanted item created by scratch. This incorporate the cross arrangement and improvement of basic libraries,the design of the Embedded Linux and distributed computing innovation. This is progressively appropriate for stopping and the storage space. Focal points of the venture is Easy to actualize minimal effort with High Quality.

VI.FUTURE SCOPE

The last area of the report out line a few highlights that might be execute in future discharges. The present arrangement of highlights actualize a base to what a customer would with the exception of shoppers.

REFERENCE

- 1.Data sheets and the client manuals of ARM controller.
- 2.ARM Developer manage by Andrew N.SLOSS, Dominic SYMES, Chris WRIGHT.
- 3.D.Pavithra;Ranjith Balakrishnan, " IOT based observing and control framework for home computerization" ,IEEE Explore correspondence
- 4.Beginning of Linux programming by Neil Matthew, Richard stones.
- 5.IOT based Raspberry pi Home security with email alert ,circuitdigest.com,andsaddam Technologies,2015 worldwide meeting on.

AUTHORS PROFILE

Dr.B.GOPINATH, educator and Head ,Department of Electrical and Electronics Engineering,Vivekanandha College Of Technology For Women, Tamilnadu, India,(e-mail: gopivce@gmail.com).



S.Anupriya, UG Student, doing final year Electrical and Electronics Engineering at Vivekanandha College Of Technology For Women, Tiruchengode, India.



M.Logeswari, UG Student, doing final year Electrical and Electronics Engineering at Vivekanandha College Of Technology For Women, Tiruchengode, India.

P.Punitha, UG Student, doing final year Electrical and Electronics Engineering at Vivekananda College Of Technology For Women, Tiruchengode, India.



S.Logavani, UG Student, doing final year Electrical and Electronics Engineering at Vivekanandha College Of Technology For Women, Tiruchengode, India

